

11 Plus/KS2 Practice Maths Paper 2

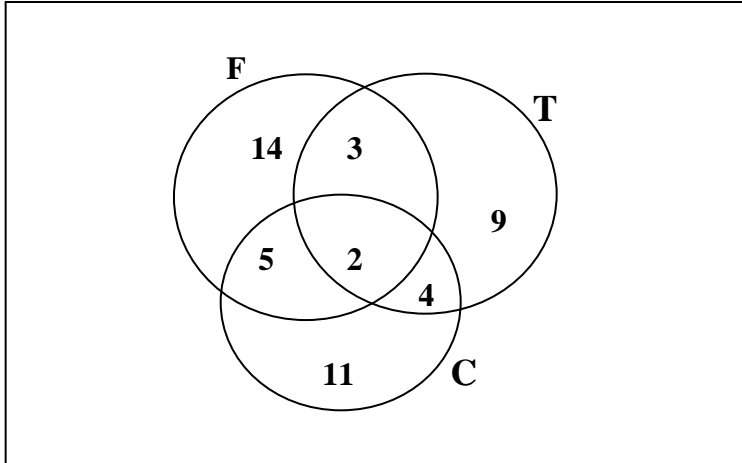
You have 45 minutes to finish this test paper

1-7 Year 5 taken a survey to find out which one is the most popular musical instrument in the class

Favourite Musical instrument	Votes
Violin	10
Guitar	18
Drums	12
Keyboard	09
Flute	11

- 1 Which is the most popular musical instrument?
- 2 Which is the least popular musical instrument?
- 3 How many students participated in the survey?
- 4 What is the mean number of votes?
- 5 What is the range of votes?
- 6 What percentage of the students voted for Violin?
- 7 What fraction of the students voted for Guitar?

8-18 The following Venn diagram show what is the most popular sports among Year 5 Students.

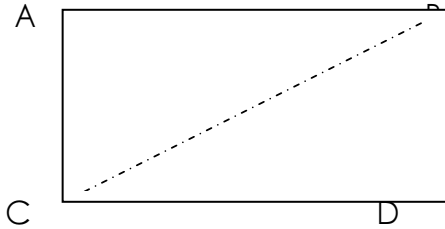


- 8** How many children like football? -----
- 9** How many children like cricket? -----
- 10** How many children like Tennis? -----
- 11** How many children like Football and Tennis? -----
- 12** How many children like football and Cricket? -----
- 13** How many children like Cricket and Tennis? -----
- 14** How many children like all three sports? -----
- 15** How many children like more than one sport? -----
- 16** What fraction of the children like only one sport? -----

- 17** What percentage of the children don't like any of the mentioned sports? -----

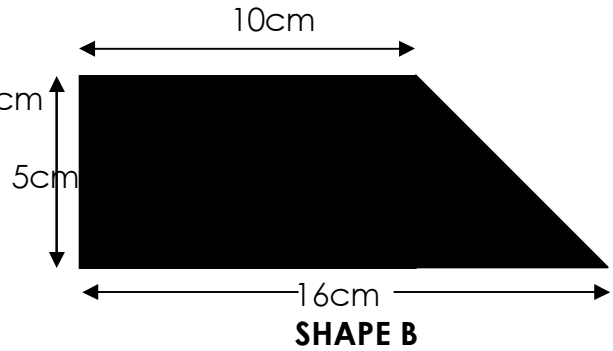
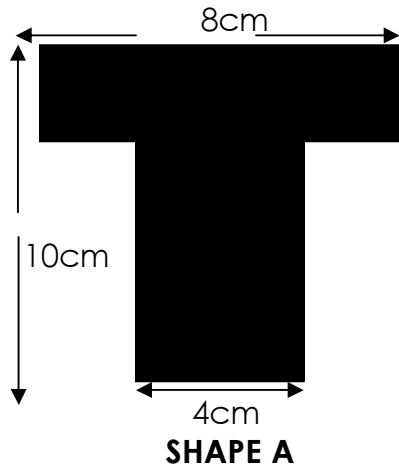
- 18** How many children taken for the venn diagram? -----

19 – 24 The length of the rectangle ABCD is twice it's width. The perimeter of the rectangle is 48cm



- 19 What is the width?
- 20 What is the length?
- 21 What is the area of this rectangle?
- 22 If you draw a line to connect CB, what is the area of this triangle BDC?

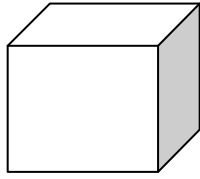
23-26



- 23 What is the perimeter of shape A?
- 24 What is the area of shape A?
- 25 What is the perimeter of shape B?
- 26 What is the area of shape B?

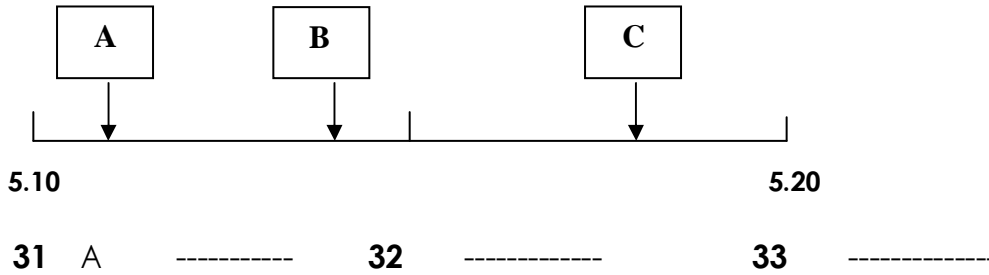
27 $7^2 + 4^3 =$

28-30

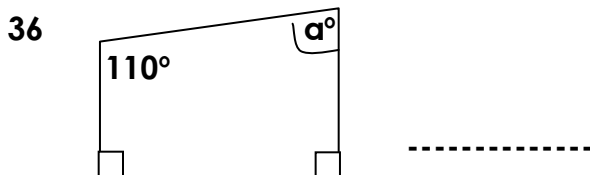
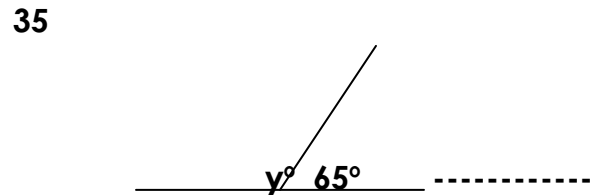
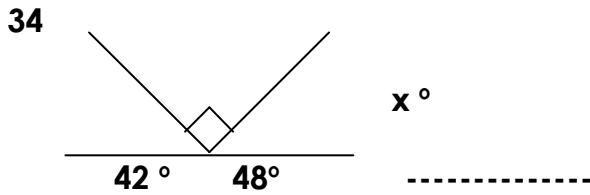


- 28 Name the above shape?
- 29 How many edges it has?
- 30 How many faces it has?

31-33 Estimate the number each arrow points to?

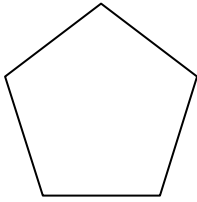


34-36 Calculate the missing angles

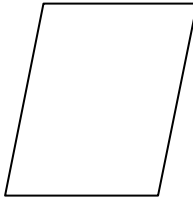


36-40 What are the specialize names of the following shapes

36



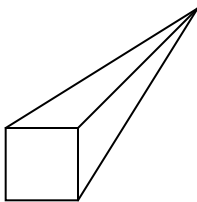
37



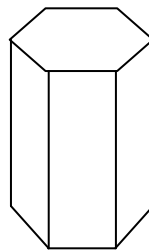
38



39



40



This paper is exclusively produced for <http://www.topnotchlinks.com/>. All rights reserved.
No part of this publication may be reproduced or transmitted in any form or by any means, electronic or mechanical, including photocopying, recording or any information storage and retrieval system without permission in writing from the publisher
email: <mailto:helpme2helpu@gmail.com>